

RADAR REFLECTOR

Type IRR



FEATURES

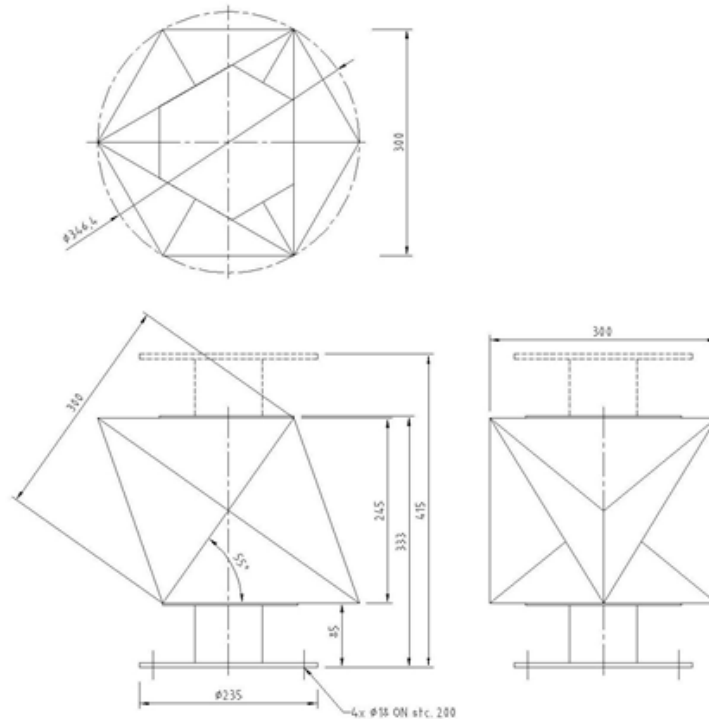
Radar reflectors increase the backscatter capacity of navigational aids. This six-corner reflector with optimal reflection features has a superb radar cross section (the determining factor of radar performance) and a high value relative to diameter. The backscatter diagram is virtually omni-directional in the azimuth plane (0 to 360 degrees) and in the vertical plane (over a range of 30 degrees).

The construction is extremely sturdy, so the reflectors can be easily integrated within the superstructure of buoys/beacons and can support a marine signal lantern, or a self-contained solar powered LED beacon. Available in three sizes. Dimensions depend on the range of the echo desired and the mounting height.

SPECIFICATIONS

Application	Radar reflector
Material	Stainless steel AISI 316 or seawater resistant aluminium
Weight	5 kg (stainless steel)

RR 300



RR 600

