

LEADING LIGHT TYPE NS 250

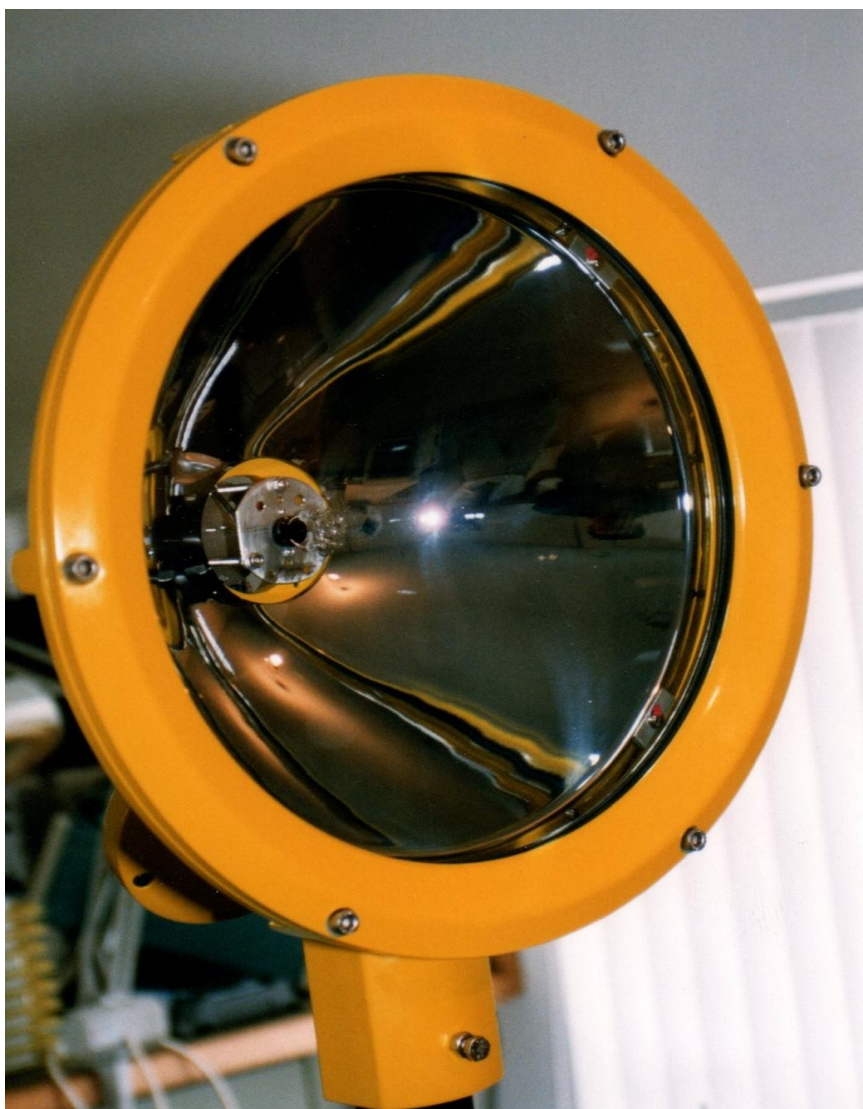
DATASHEET

The NS 250 is an high intensity leading light and is suitable for marine signalisation.

The housing is made of cast aluminium ALMG3

Different divergence angles can be made by changing the divergence filter and lamptype.

As an option a synchronising feature by means of GPS signal is available



Cable entry is by means of an PG 13.5 cable gland. The NS250 is suitable for Mounting on a 60 mm. Pole, horizontal adjustment 360 dgrs. , vertical adjustment ca. 35 dgrs.

Levelling and aligning can be made with a rifle scope for which attachment provisions are made.

Surface treatment is 2 layers of polyester coating standard color signal Yellow.

I.T.O. Vaarwegmarkering BV

's Gravendijkseweg 23 2201 CZ Noordwijk Holland

E-mail info@itonavaids.com

tel. +31 71 3611987

fax. +31 71 3614219

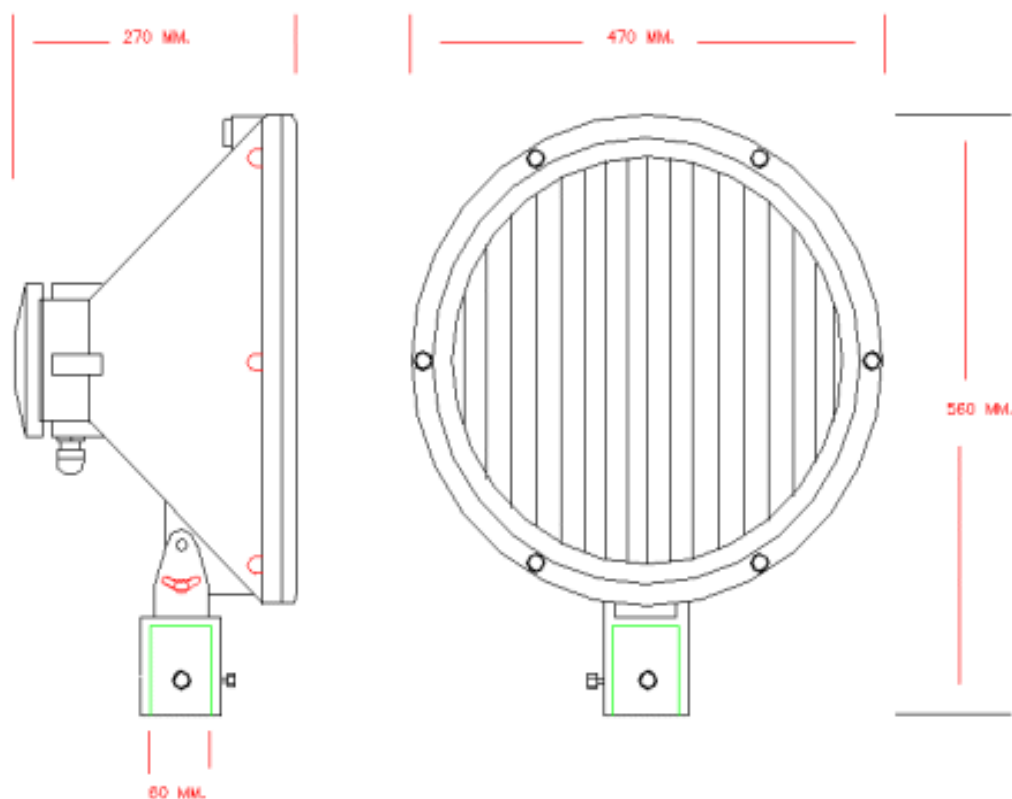
www.itonavaids.com



LEADING LIGHT TYPE NS 250

Specifications:

Application	: Harbour entrance leading light
Type	: NS 250
Make	: I.T.O. Vaarwegmarkering B.V.
Lens material	: PMMA/glass
Colorfilter	: PMMA
Heatfilter	: Glass
Base material	: Cast aluminium ALMG3
Hardware	: Stainless steel
Lamptype	: Max. 250 watt
Lamp life expectancy	: Depending on lamptype
Connection	: Screw terminal
Cable entry	: Cable gland PG 13.5
Horizontal lightspread	: Depending on divergence filter, 5, 8, 15, 30, 60 degrees
Vertical divergence	: 5 degrees
Intensity	: Depending of lamp type and horiz. lightspread, max 1.000.000 candela
Protectionclass	: IP66
Weight	: Approx. 11kgs.



I.T.O. Vaarwegmarkering BV
's Gravendijkseweg 23 2201 CZ

E-mail info@itonavaids.com

DOC.NO: NS250 rev1

Noordwijk Holland

tel. +31 71 3611987

fax. +31 71 3614219

www.itonavaids.com

