

MEDIUM RANGE SIGNAL LANTERN IML 200PU LED

DATASHEET

The signal lantern IML 200 PU LED is a superb led beacon with advanced specifications.

The lantern is provided with a horizontal scattering lens providing a consistent horizontal divergence.

The lightsource is formed through horizontally placed LED's of high intensity and depending on which visibility is needed the light output can be programmed accordingly.

The lantern base is made of rugged polyurethane, the top of the lantern is made of marine grade aluminium, painted with two layers of high impact epoxy coating, the top color is the same as the emitted light.

In the lantern base a membrane is incorporated for airpressure equalization and for blocking moisture to enter the lanternhousing.

The applied flasher is the unique LKG2200 with: charge regulator function and remote control for setting the flashers led current, character setting (221 preprogrammed IALA flash codes), daylight sensor set-points.



Electrical parameters as led current setpoint, battery voltage, and day/night switching point a.o. can be read.

These provisions make it possible for the lantern to be controlled from a distance.

For synchronizing more lanterns the flasher has a hard-wired input/output connection.

Power supply cable is made of marine-grade polyurethane, standard length is 3 mtrs. (3 wire 1,5 sq mm.)

As an Option the lantern can synchronize with the ITOsync GPS receiver.

In regards to conventional lanterns with lamp changers, the advantages are especially the large vertical divergence, the intensity of the emitted light in regard to the power consumption, the long life expectancy of the LED's, and the very high reliability .

I.T.O. Vaarwegmarkering BV
's Gravendijkseweg 23 2201 CZ

Noordwijk Holland

tel. +31 71 3611987

fax. +31 71 3614219

E-mail info@itonavaids.com

www.itonavaids.com

DOC.NO: IML200 PU LED rev0



MEDIUM RANGE SIGNAL LANTERN IML 200PU LED

Specifications:

Application	: Buoys, landfall beacons, harbour lights
Type	: IML 200PU LED
Manufacturer	: I.T.O. Vaarwegmarkering BV
Lens material/type	: Acrylic type PMMA200
Lantern base	: Polyurethane
Lantern top	: Marine grade aluminium
Bird spike	: Stainless steel spring-type
Led type	: High intensity, red, green, yellow and white
Life expectancy	: Approx. 100.000 hours
Flasher	: LKG2200
Connection	: PUR cable, standard length 3 metres
Cable entry	: Cable gland PG13.5, brass, nickleplated
Daylight switch	: Internally placed
Remote control range	: 10 metres
Horizontal spread	: 360 degrees
Vertical divergence	: More than 24 degrees
Max. intensity	: Depending on setting
Visibility by T= 0,74	: Depending on range setting
Volt range	: 12 volt - 30 volt DC
Protection class	: IP66
Attachment	: 4 holes of 15mm on 200 mm BCD
Weight	: 3,8 kg



I.T.O. Vaarwegmarkering BV
's Gravendijkseweg 23 2201 CZ

Noordwijk Holland

tel. +31 71 3611987

fax. +31 71 3614219

E-mail info@itonavaids.com

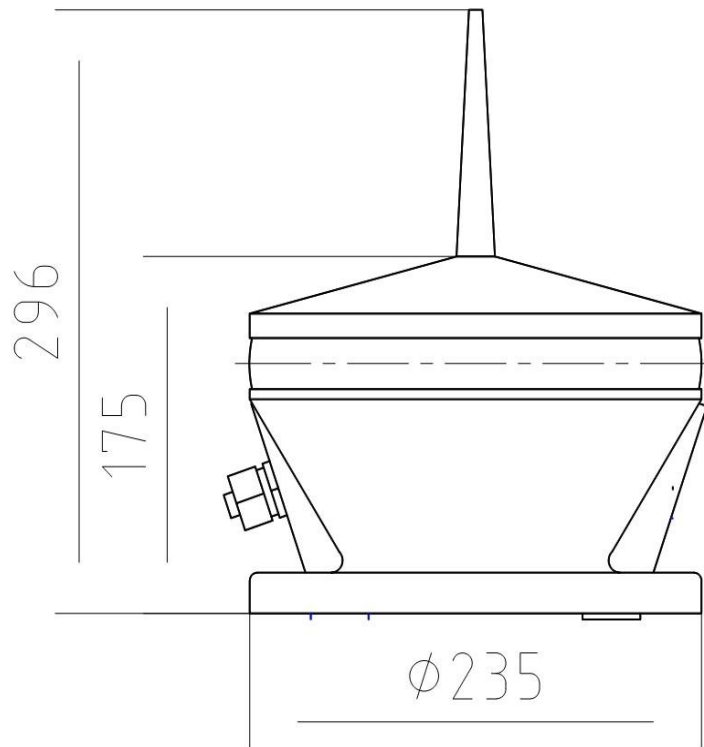
www.itonavaids.com

DOC.NO: IML200 PU LED rev1

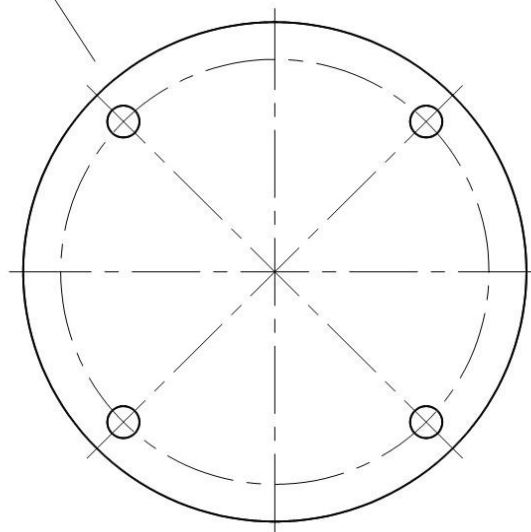


MEDIUM RANGE SIGNAL LANTERN IML 200PU LED

Drawings:



4 x $\phi 15$ mm ON 200 mm
BOLT CIRCLE



I.T.O. Vaarwegmarkering BV
's Gravendijkseweg 23 2201 CZ Noordwijk Holland
E-mail info@itonavaids.com

tel. +31 71 3611987
fax. +31 71 3614219
www.itonavaids.com

