

MEDIUM RANGE ICE BUOY LANTERN IML200 IB LED

DATASHEET

The signal lantern IML 200 IB LED is designed for use in harsh Arctic environments. the lantern is extremely robust and has a very low profile.

The lantern is provided with a horizontal scattering lens providing a consistent horizontal divergence. The lightsource is formed through horizontally placed LED's of high intensity and depending on which visibility is needed the light output can be programmed accordingly. The lantern base and top which function as a heatsink are made of marine grade bronze.



The applied flasher is the unique KGTR.v5 with: transceiver remote control for setting the lantern led current, character setting (221 preprogrammed IALA flash codes), daylight sensor setpoints. Electrical parameters as ledcurrent setpoint, battery voltage, and day/night switchingpoint a.o. can be read.

These provisions make it possible for the lantern to be controlled from a distance. For synchronizing more lanterns the flasher has a hard-wired input/output connection. Power-supply cable is made of marine-grade polyurethane standard length 3 meters. (3 wire 1,5 mm.) In regards to conventional lanterns with lampchangers, the advantages are especially the large vertical divergence, the intensity of the emitted light in regard to the power consumption, the long life expectancy of the LED's, and the very high reliability .

I.T.O. Vaarwegmarkering BV
's Gravendijkseweg 23 2201 CZ
E-mail info@itonavaids.com

DOC.NO: IML200 IB LED rev1

Noordwijk Holland

tel. +31 71 3611987
fax. +31 71 3614219
www.itonavaids.com



MEDIUM RANGE ICE BUOY LANTERN IML200 IB LED

Specifications:

Application	: Buoys
Type	: IML 200IB LED
Manufacturer	: I.T.O. Vaarwegmarkering BV
Lens material/type	: Acrylic type PMMA200
Lanternbase	: Bronze
Lantern top	: Bronze
Birdspike	: Stainless steel spring-type
Led type	: High intensity, red, green, orange and white
Life expectancy	: Approx. 100.000 hours
Flasher	: KGTR.v5.
Connection	: PUR cable, standard length 3 metres
Cable entry	: Cable gland PG13.5, brass, nickleplated
Daylightswitch	: Internally placed
Remote control range	: 10 metres
Horizontal spread	: 360 degrees
Vertical divergence	: More than 24 degrees
Max. intensity	: Depending on setting
Visibility by T= 0,74	: Depending on range setting
Volt range	: 12 volt - 30 volt DC
Protectionclass	: IP66
Lantern mounting	: 6 holes of 10 mm on 265 mm
Weight	: 11 kg.



I.T.O. Vaarwegmarkering BV
's Gravendijckseweg 23 2201 CZ

Noordwijk Holland

E-mail info@itonavaids.com

DOC.NO: IML200 IB LED rev1

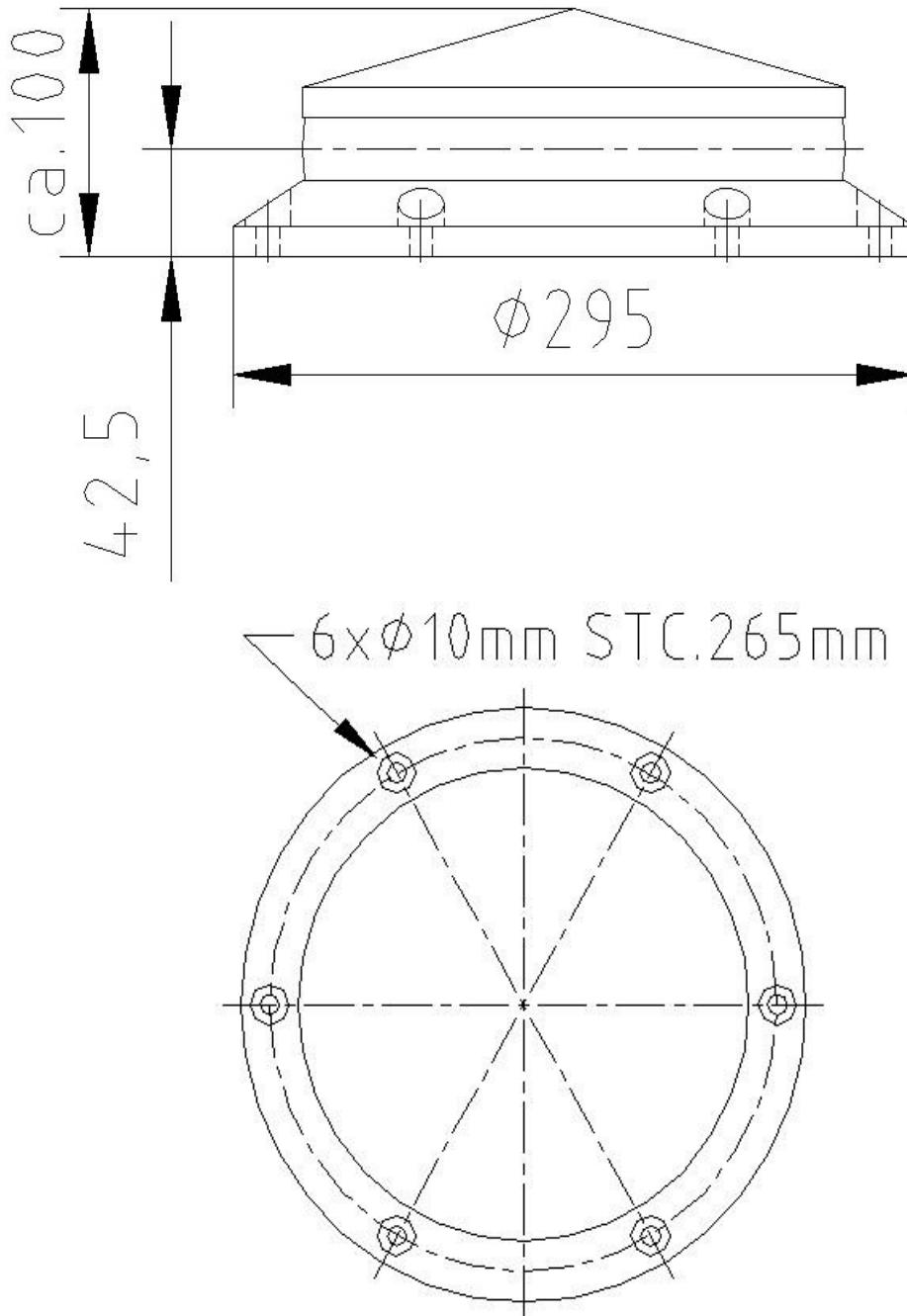
tel. +31 71 3611987
fax. +31 71 3614219

www.itonavaids.com



MEDIUM RANGE ICE BUOY LANTERN IML200 IB LED

Drawings:



I.T.O. Vaarwegmarkering BV
's Gravendijkseweg 23 2201 CZ Noordwijk Holland
E-mail info@itonavaids.com

tel. +31 71 3611987
fax. +31 71 3614219
www.itonavaids.com

